

SEAT & CUSHION SUPPORT BELT

ALWAYS COMFORTABLE



movinglife[®]

SEATING & SUPPORT



ATTO /ATTO
SPORT Armrests



Seat cushion



Seat cushion
leather



Luxury Swivel
Seat Leather



Seat & Cushion
Support Belt



Luxury Orthopedic
Backrest

STORAGE



Essentials
Pouch



Front & rear
basket



Caryall
& Cushion



Caryall
& Cushion leather



Pet Carrier &
Cushion Black



Flight Kit



Oxygen Bottle
Holder & Case

TECHNICAL



Cane / Crutches
Holders



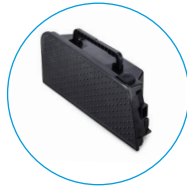
Mobile Phone
Holder



Rear Light Lifting
Handle



ATTO Left Hand
Throttle Kit



Standard Flight
Battery



Launch - H2 2023

Long distance
battery - not flight
approved



Cable kit

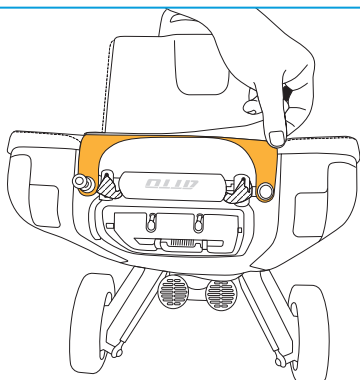
ATTO Accessories are created specifically to enhance, support and work with the ATTO mobility scooters in all user modes; while driving, while wheeling along as trolley and when folded for storage or transportation.

SCAN TO LEARN
HOW TO COMBINE
OUR ACCESSORIES



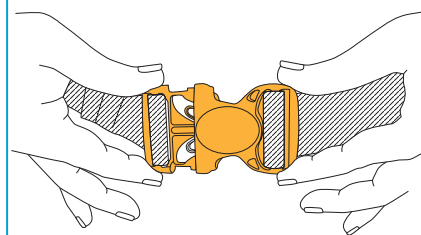
How to Use

SEAT & CUSHION SUPPORT BELT



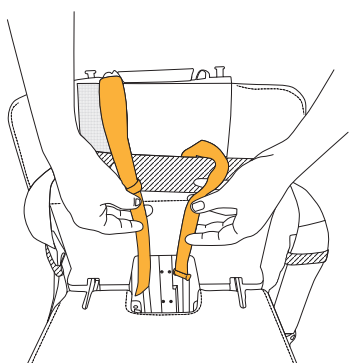
01

Insert the belt's loop under the lift handle and screw the knobs back



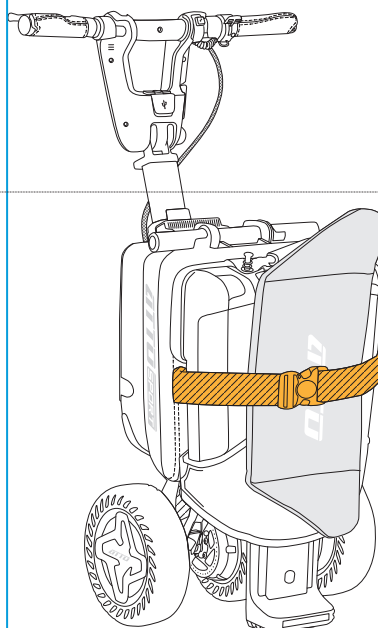
04

Tighten the support belt around you



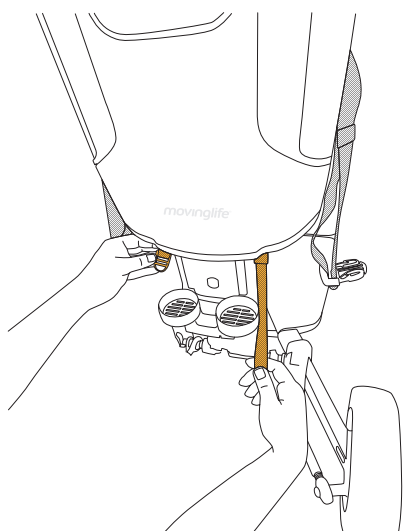
02

Pass the straps through the gap in the seat to the back of the ATTO



05

While folding the scooter, separate the cushion from the supporting belt, and fasten it to the back of the scooter with the help of the outer strap



03

Connect the straps together by passing a strap through a loop

